

DP RATING	LARGE & SMALL MISSILE IMPACT RESISTANT, HVHZ
SEE TABLES 1 & 2	

HR910V HORIZONTAL ROLLER WINDOW, LM/SM IMPACT RESISTANT, HVHZ FLANGE, EQUAL-LEG & FIN FRAMES

- 1) THIS PRODUCT HAS BEEN DESIGNED & TESTED TO COMPLY WITH THE REQUIREMENTS OF THE FLORIDA BUILDING CODE, INCLUDING THE HIGH VELOCITY HURRICANE ZONE (HVHZ).
- 2) SHUTTERS ARE NOT REQUIRED WHEN USED IN WIND-BORNE DEBRIS REGIONS.
- 3) MASONRY ANCHORS MAY BE USED INTO WOOD. ALL WOOD BUCKS LESS THAN 1-1/2" THICK ARE TO BE CONSIDERED 1X INSTALLATIONS. 1X WOOD BUCKS ARE OPTIONAL IF UNIT IS INSTALLED DIRECTLY TO SUBSTRATE. WOOD BUCKS DEPICTED AS 2X ARE 1-1/2" THICK OR GREATER.
- 4) ANCHOR EMBEDMENT TO BASE MATERIAL SHALL BE BEYOND WALL DRESSING OR STUCCO. USE ANCHORS OF SUFFICIENT LENGTH.
- 5) MAX. 1/4" SHIMS ARE REQUIRED AT EACH ANCHOR LOCATION WHERE THE PRODUCT IS NOT FLUSH TO THE SUBSTRATE. USE SHIMS CAPABLE OF TRANSFERRING APPLIED LOADS.
- 6) THE ANCHORAGE METHODS SHOWN HAVE BEEN DESIGNED TO RESIST THE WIND LOADS CORRESPONDING TO THE REQUIRED DESIGN PRESSURE. THE 33-1/3% STRESS INCREASE HAS NOT BEEN USED IN THE DESIGN OF THIS PRODUCT. THE 1.6 LOAD DURATION FACTOR WAS USED FOR THE EVALUATION OF ANCHORS INTO WOOD. ANCHORS THAT COME INTO CONTACT WITH OTHER DISSIMILAR MATERIALS SHALL MEET THE REQUIREMENTS OF THE FLORIDA BUILDING CODE FOR CORROSION RESISTANCE.
- 7) FRAME FLANGES OR INTEGRAL FINNS MAY BE TRIMMED IN-FIELD TO CREATE AN EQUAL-LEG FRAME.

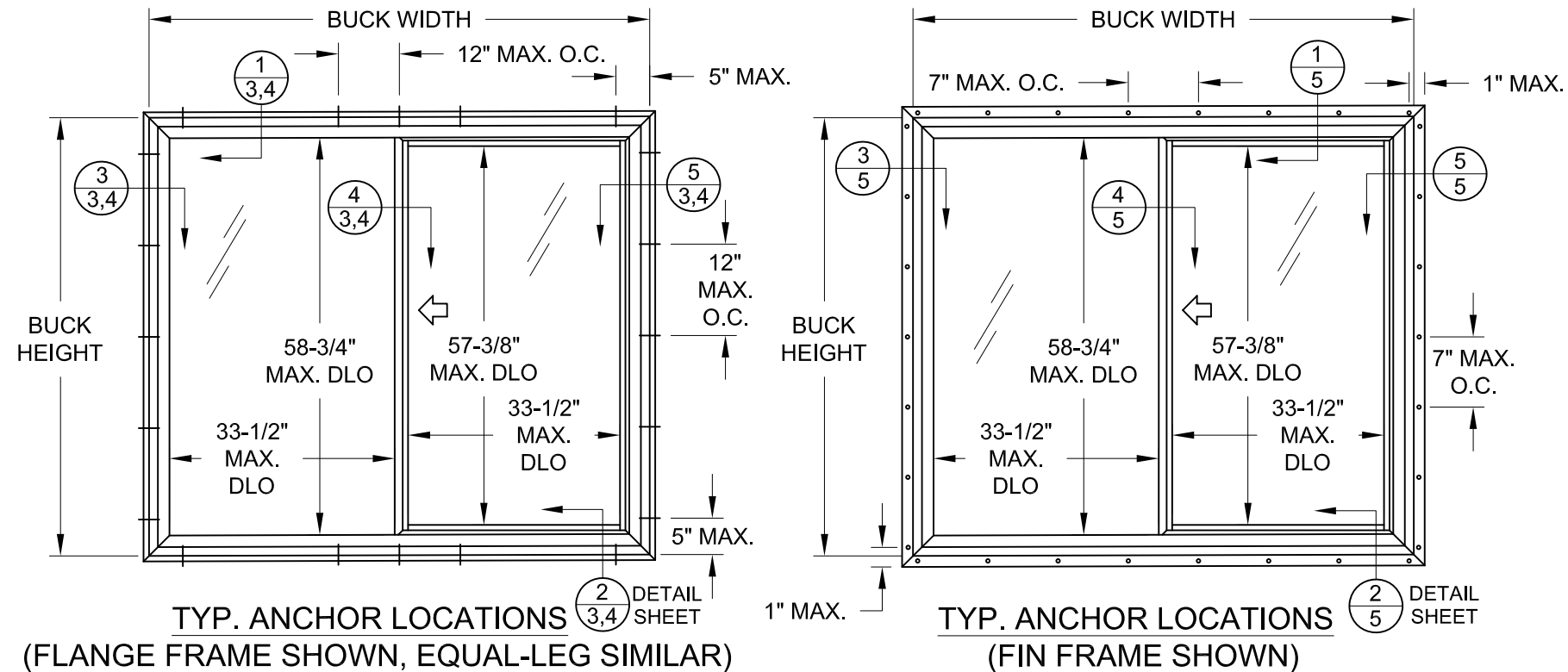


TABLE 1: DESIGN PRESSURES

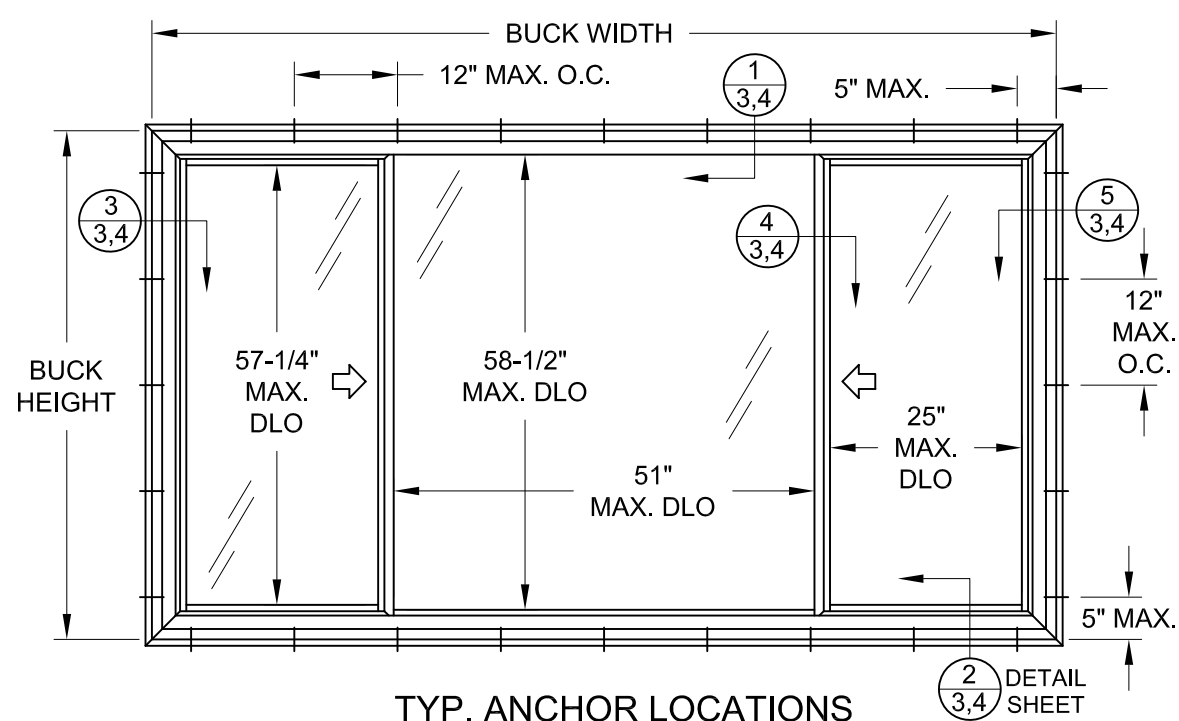
Buck Width	Buck Height	Configuration	Impact Level	Frame Type	Glass Types	Design Pressure	
						(+) psf	(-) psf
74"	63"	XO/OX	LM/SM - HVHZ	Flange, Equal-Leg	1 or 2	55.0	60.0
74"	63"	XO/OX	LM/SM - HVHZ	Integral Fin	1 or 2	50.0	60.0

- 1) FOR SIZES NOT SHOWN, ROUND UP TO THE NEXT AVAILABLE WIDTH OR HEIGHT DIMENSION.
- 2) GLASS TYPE 2 MUST BE USED ABOVE 30 FT IN THE HVHZ.
- 3) FOR GLASS TYPES, SEE SHEET 7.

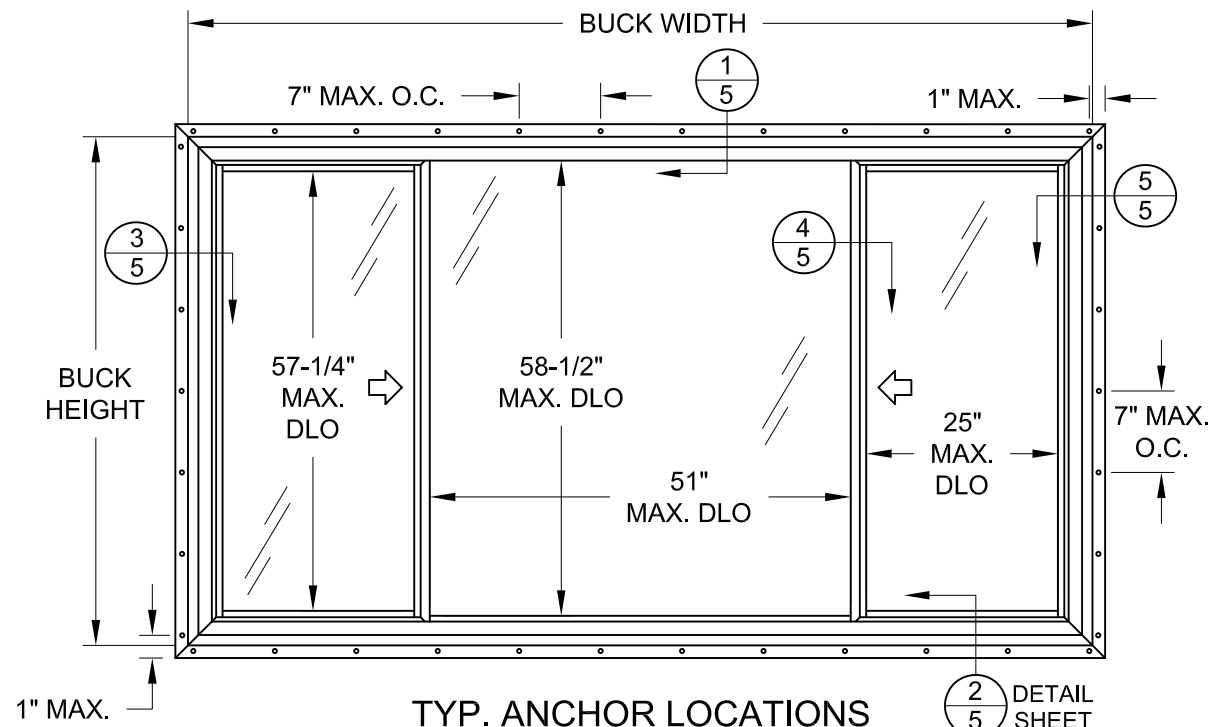
Rev.# 08/17/23
Date
MINOR EDITORIAL UPDATES

PREPARED BY A. LYNN MILLER 1070 TECHNOLOGY DRIVE N. VENICE, FL 34275 (941) 480-1600	REGISTRATION #29296 COPYRIGHT © 2023 PGT, INC., LIMITED LICENSE TO MAKE COPIES FOR PERMITTING.	Date 04/17/23	Drawn By LOGAN YODER	No. HR910V-FPA-LM HVHZ
	CGI WINDOWS AND DOORS 3780 W. 104TH STREET HIALEAH, FL 33018	Series HR910V		
ELEVATION & GENERAL NOTES			Sheet 1 OF 6	Title HR910V

ANTHONY LYNN MILLER
 LICENSE
 No. 58705
A. Lynn Miller
 08/18/23
 STATE OF
 FLORIDA
 PROFESSIONAL ENGINEER
 A. LYNN MILLER, P.E.
 P.E.# 58705



TYP. ANCHOR LOCATIONS
(FLANGE FRAME SHOWN, EQUAL-LEG SIMILAR)
(1/4 - 1/2 - 1/4 CONFIGURATION SHOWN)



TYP. ANCHOR LOCATIONS
(FIN FRAME SHOWN)
(1/4 - 1/2 - 1/4 CONFIGURATION SHOWN)

TABLE 2: XOX DESIGN PRESSURES

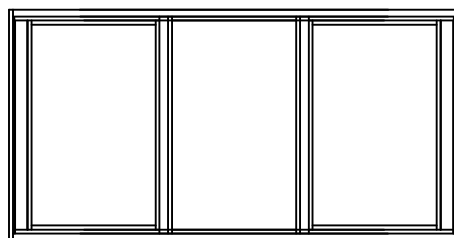
Buck Width	Buck Height	Configuration	Impact Level	Frame Type	Glass Types	Design Pressure	
						(+) psf	(-) psf
82-7/8"	63"	1/3 - 1/3 - 1/3 XOX	LM/SM	All	1, 2, 3 or 4 (operable) 3 or 4 (fixed lite)	50.0	55.0
111"	63"	1/4 - 1/2 - 1/4 XOX	LM/SM	All	1, 2, 3 or 4 (operable) 4 (fixed lite)	50.0	55.0
111"	63"	1/4 - 1/2 - 1/4 XOX	LM/SM	All	1, 2, 3 or 4 (operable) 3 (fixed lite)	See Table 2A	

1) FOR SIZES NOT SHOWN, ROUND UP TO THE NEXT AVAILABLE WIDTH OR HEIGHT DIMENSION.
2) FOR GLASS DESCRIPTIONS, SEE SHEET 7.

TABLE 2A:

Design Pressure	XOX 1/4 - 1/2 - 1/4 using Glass Types 3 at Fixed Lite						
	Width						
	60"	72"	84"	96"	108"	111"	
Height	36"	+50/-55	+50/-55	+50/-55	+50/-55	+50/-55	+50/-55
	48"	+50/-55	+50/-55	+50/-55	+50/-55	+50/-55	+50/-55
	54"	+50/-55	+50/-55	+50/-55	+50/-55	+50/-55	+50/-55
	60"	+50/-55	+50/-55	+50/-55	+50/-55	+50.0/-52.9	+50.0/-52.2
	63"	+50/-55	+50/-55	+50/-55	+50.0/-54.2	+50.0/-50.4	+/-49.6

1) FOR SIZES NOT SHOWN, ROUND UP TO THE NEXT AVAILABLE WIDTH OR HEIGHT DIMENSION.
2) FOR GLASS DESCRIPTIONS, SEE SHEET 7.

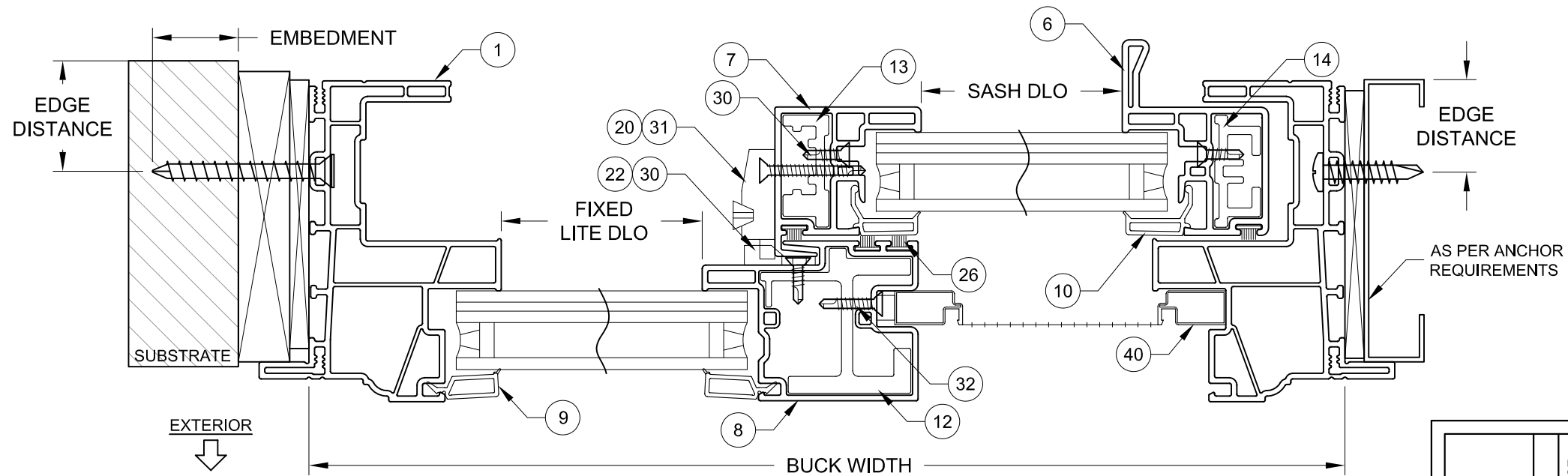
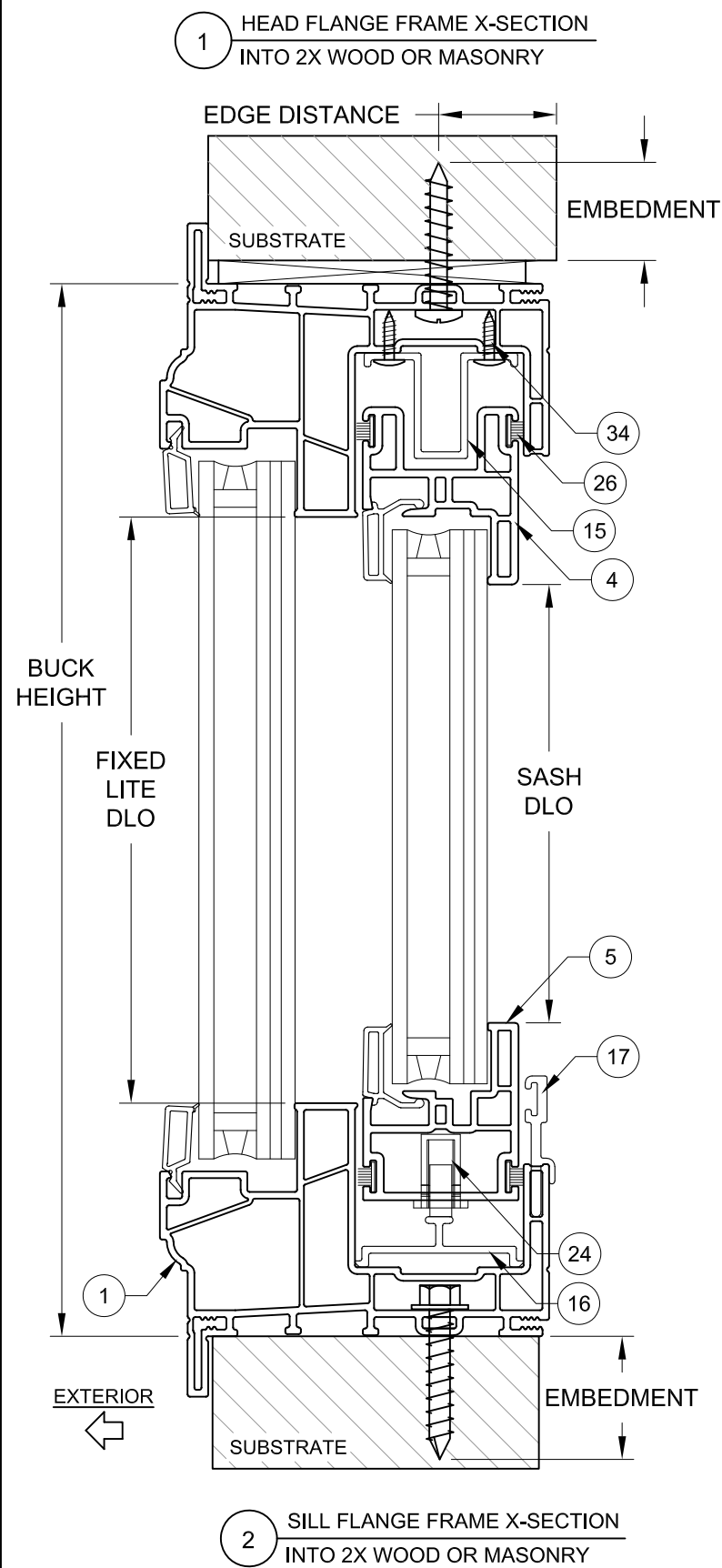


WINDOW MAY BE A 1/4 - 1/2 - 1/4 CONFIGURATION (AS SHOWN ABOVE), OR 1/3 - 1/3 - 1/3 CONFIGURATION (AS SHOWN TO THE LEFT) PROVIDED DLO (DAYLITE OPENING) SIZES ARE NOT EXCEEDED.

Impact Resistant Windows & Doors CGI WINDOWS AND DOORS 3780 W. 104TH STREET HIALEAH, FL 33018	PREPARED BY A. LYNN MILLER 1070 TECHNOLOGY DRIVE N. VENICE, FL 34275 (941) 480-1600	REGISTRATION #29296 COPYRIGHT © 2023 PGT, INC., LIMITED LICENSE TO MAKE COPIES FOR PERMITTING.	04/17/23 Date
	VINYL HORIZ. ROLLER WINDOW (LM - HVHZ)	LOGAN YODER By	HR910V-FPA-LM HVHZ No.
2 OF 6 Sheet	HR910V Series	PRESSURES & ANCHOR ELEVATION Desc.	GENERAL NOTES, XOX DESIGN Title

ANTHONY LYNN MILLER
 LICENSE
 No. 58705
 08/18/23
 STATE OF FLORIDA
 PROFESSIONAL ENGINEER
 A. LYNN MILLER, P.E.
 P.E.# 58705

Rev.#	08/17/23
Date	08/17/23
Rev.	MINOR EDITORIAL UPDATES
	A



3 JAMB FLANGE FRAME X-SECTION THRU 1X INTO 2X WOOD OR MASONRY

4 MEETING RAIL X-SECTION SHOWN FOR OX CONFIGURATION (XOX SIMILAR)

5 JAMB FLANGE FRAME X-SECTION USING SCREWS INTO METAL

TABLE 3: INSTALLATION ANCHORS

Anchor	Substrate	Minimum Edge Distance	Minimum Embedment
#10 or #12 Steel or 410 SS Screw	Southern Pine (SG = .55)	9/16"	1-3/8"
	Aluminum, 6063-T5 min.	3/8"	0.050"
	Steel Stud, Gr. 33 min.	3/8"	0.045" (20 Ga)
	A36 Steel	3/8"	0.050"
3/16" Steel Ultracon+	Concrete (min. 2.9 ksi)	1"	1-3/4"
	UngROUTED CMU, (ASTM C-90)	1"	1-1/4"
	Southern Pine (SG = .55)	1"	1-3/8"
1/4" Steel Ultracon+	Concrete (min. 3.0 ksi)	1"	1-3/8"
	UngROUTED CMU, (ASTM C-90)	1"	1-1/4"
	Southern Pine (SG = .55)	1"	1-3/8"

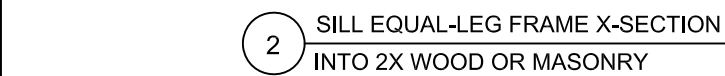
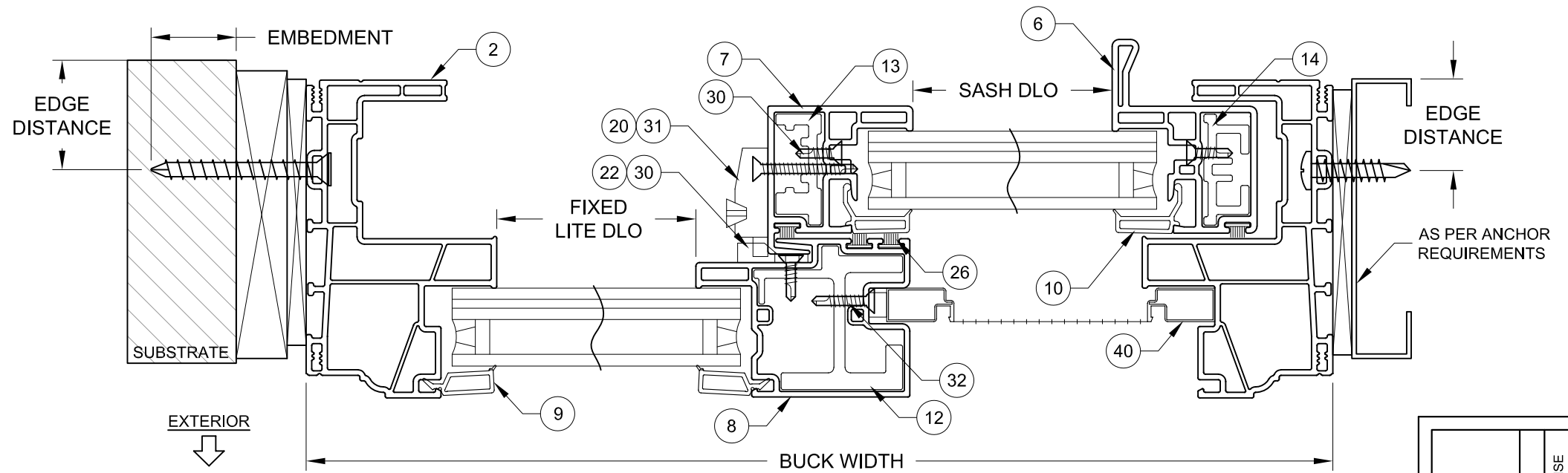
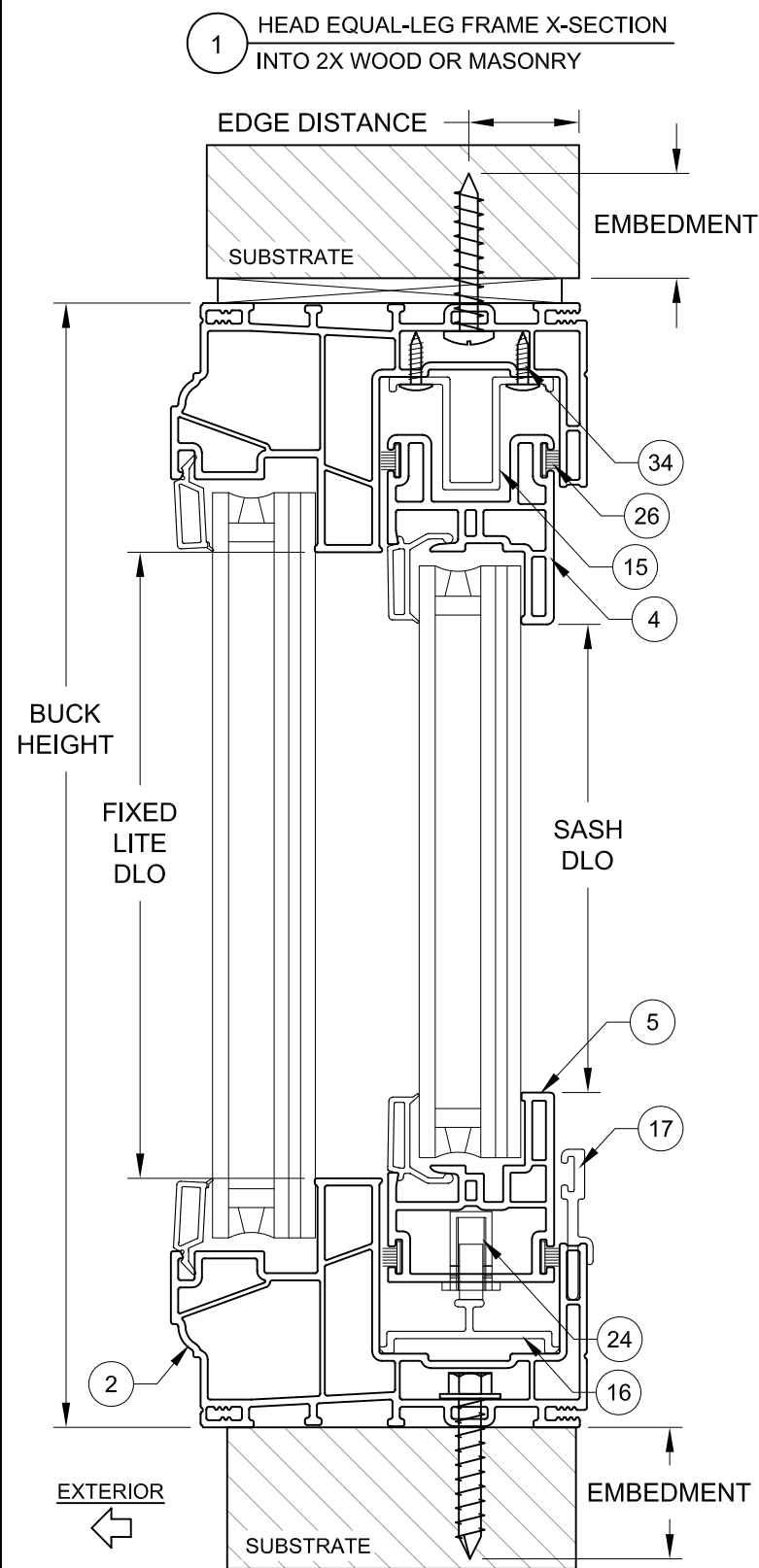
- 1) ANCHOR MUST EXTEND A MINIMUM OF 3 THREADS BEYOND ANY METAL SUBSTRATE.
- 2) "UNGRouted CMU" VALUES MAY BE USED FOR GRouted CMU APPLICATIONS.
- 3) ALL ANCHOR HEAD TYPES ARE APPLICABLE.

INSTALLATION NOTES:

- 1) SEE SHEET 1 FOR ANCHOR SPACING REQUIREMENTS.
- 2) ANY INSTALLATION OPTION SHOWN (2X BUCK OR WOOD FRAMING, 1X BUCK, DIRECT TO MASONRY, STEEL STUD) MAY BE USED ON ANY SIDE OF THE WINDOW.
- 3) USE ONLY SUBSTRATE APPROPRIATE ANCHORS LISTED IN ANCHOR TABLE 3. FOLLOW EMBEDMENT AND EDGE DISTANCE LIMITS. MAX. SHIM THICKNESS TO BE 1/4".

Impact Resistant Windows & Doors 	PREPARED BY A. LYNN MILLER 1070 TECHNOLOGY DRIVE N. VENICE, FL 34275 (941) 480-1600	REGISTRATION #29296 COPYRIGHT © 2023 PGT, INC., LIMITED LICENSE TO MAKE COPIES FOR PERMITTING.	04/17/23 Date
	CGI WINDOWS AND DOORS 3780 W. 104TH STREET HIALEAH, FL 33018	VINYL HORIZ. ROLLER WINDOW (LM - HVHZ) By Logan Yoder	HR910V No.
FLANGE INSTALL & ANCHOR TYPES		HR910V-FPA-LM HVHZ	

ANTHONY LYNN MILLER
 LICENSE
 No. 58705
 08/18/23
 STATE OF FLORIDA
 PROFESSIONAL ENGINEER
 A. LYNN MILLER, P.E.
 P.E.# 58705



3 JAMB EQUAL-LEG FRAME X-SECTION THRU 1X INTO 2X WOOD OR MASONRY

4 MEETING RAIL X-SECTION SHOWN FOR OX CONFIGURATION (XOX SIMILAR)

5 JAMB EQUAL-LEG FRAME X-SECTION USING SCREWS INTO METAL

TABLE 4: INSTALLATION ANCHORS

Anchor	Substrate	Minimum Edge Distance	Minimum Embedment
#10 or #12 Steel or 410 SS Screw	Southern Pine (SG = .55)	9/16"	1-3/8"
	Aluminum, 6063-T5 min.	3/8"	0.050"
	Steel Stud, Gr. 33 min.	3/8"	0.045" (20 Ga)
	A36 Steel	3/8"	0.050"
3/16" Steel Ultracon+	Concrete (min. 2.9 ksi)	1"	1-3/4"
	UngROUTED CMU, (ASTM C-90)	1"	1-1/4"
	Southern Pine (SG = .55)	1"	1-3/8"
1/4" Steel Ultracon+	Concrete (min. 3.0 ksi)	1"	1-3/8"
	UngROUTED CMU, (ASTM C-90)	1"	1-1/4"
	Southern Pine (SG = .55)	1"	1-3/8"

- 1) ANCHOR MUST EXTEND A MINIMUM OF 3 THREADS BEYOND ANY METAL SUBSTRATE.
- 2) "UNGRouted CMU" VALUES MAY BE USED FOR GRouted CMU APPLICATIONS.
- 3) ALL ANCHOR HEAD TYPES ARE APPLICABLE.

INSTALLATION NOTES:

- 1) SEE SHEET 1 FOR ANCHOR SPACING REQUIREMENTS.
- 2) ANY INSTALLATION OPTION SHOWN (2X BUCK OR WOOD FRAMING, 1X BUCK, DIRECT TO MASONRY, STEEL STUD) MAY BE USED ON ANY SIDE OF THE WINDOW.
- 3) USE ONLY SUBSTRATE APPROPRIATE ANCHORS LISTED IN ANCHOR TABLE 4. FOLLOW EMBEDMENT AND EDGE DISTANCE LIMITS. MAX. SHIM THICKNESS TO BE 1/4".

Rev.# 08/17/23
Date
MINOR EDITORIAL UPDATES
Rev.

PREPARED BY A. LYNN MILLER
1070 TECHNOLOGY DRIVE
N. VENICE, FL 34275
(941) 480-1600

REGISTRATION #29296
COPYRIGHT © 2023 PGT, INC., LIMITED LICENSE
TO MAKE COPIES FOR PERMITTING.

CGI WINDOWS AND DOORS
3780 W. 104TH STREET
HIALEAH, FL 33018

VINYL HORIZ. ROLLER WINDOW (LM - HVHZ) 04/17/23
DATE

LOGAN YODER
DRAWN BY

HR910V
SERIES

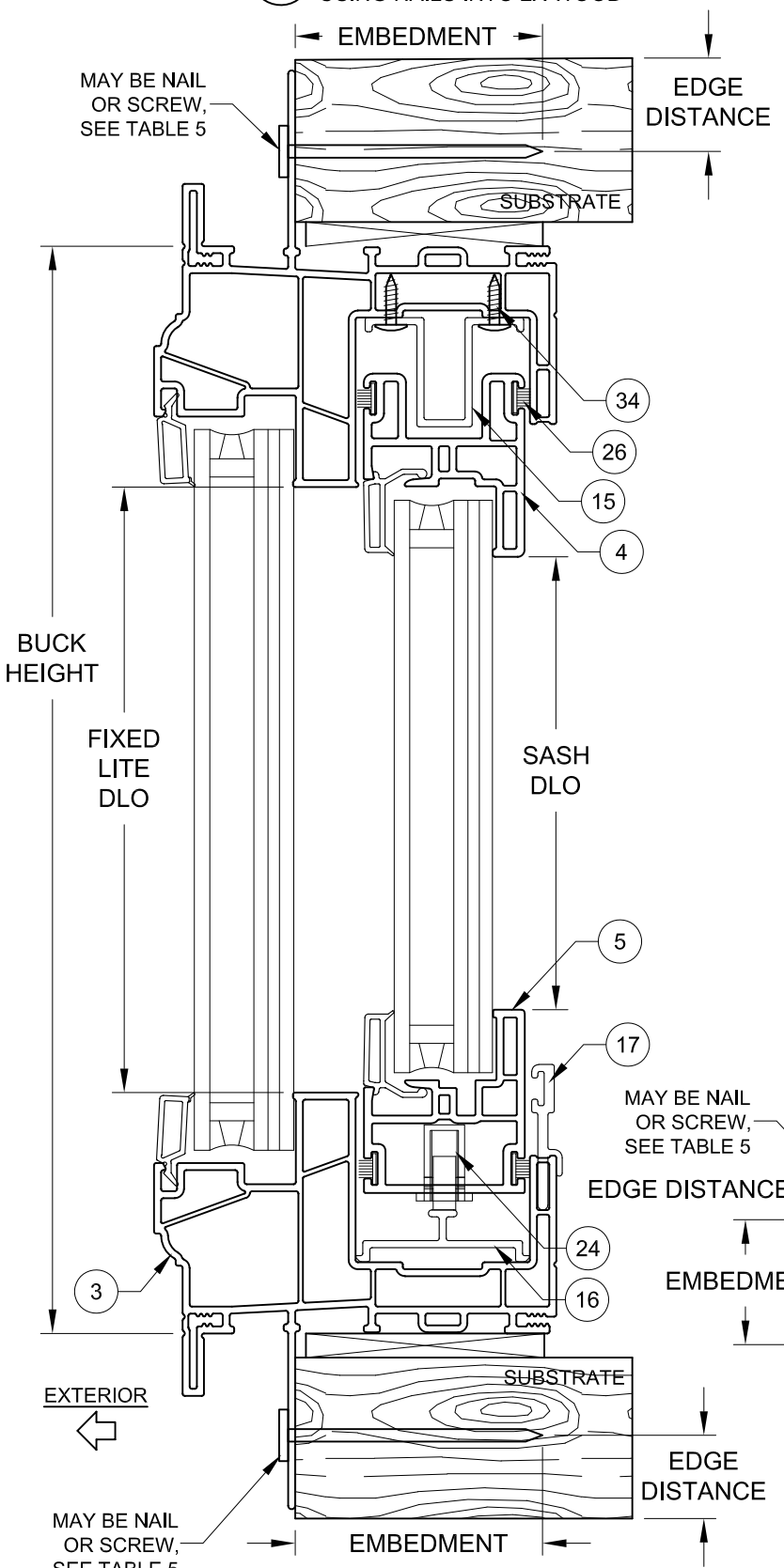
EQUAL-LEG INSTALLATION & ANCHOR TYPES
DESC.

4 OF 6
SHEET

HR910V-FPA-LM HVHZ
DWG No.

ANTHONY LYNN MILLER
LICENSE
No. 58705
08/18/23
STATE OF FLORIDA
PROFESSIONAL ENGINEER
A. LYNN MILLER, P.E.
P.E.# 58705

1 HEAD FIN FRAME X-SECTION USING NAILS INTO 2X WOOD



2 SILL FIN FRAME X-SECTION USING NAILS INTO 2X WOOD

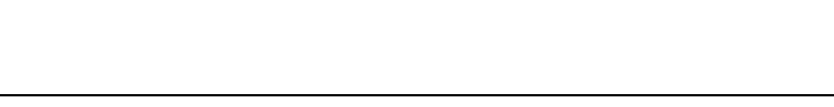


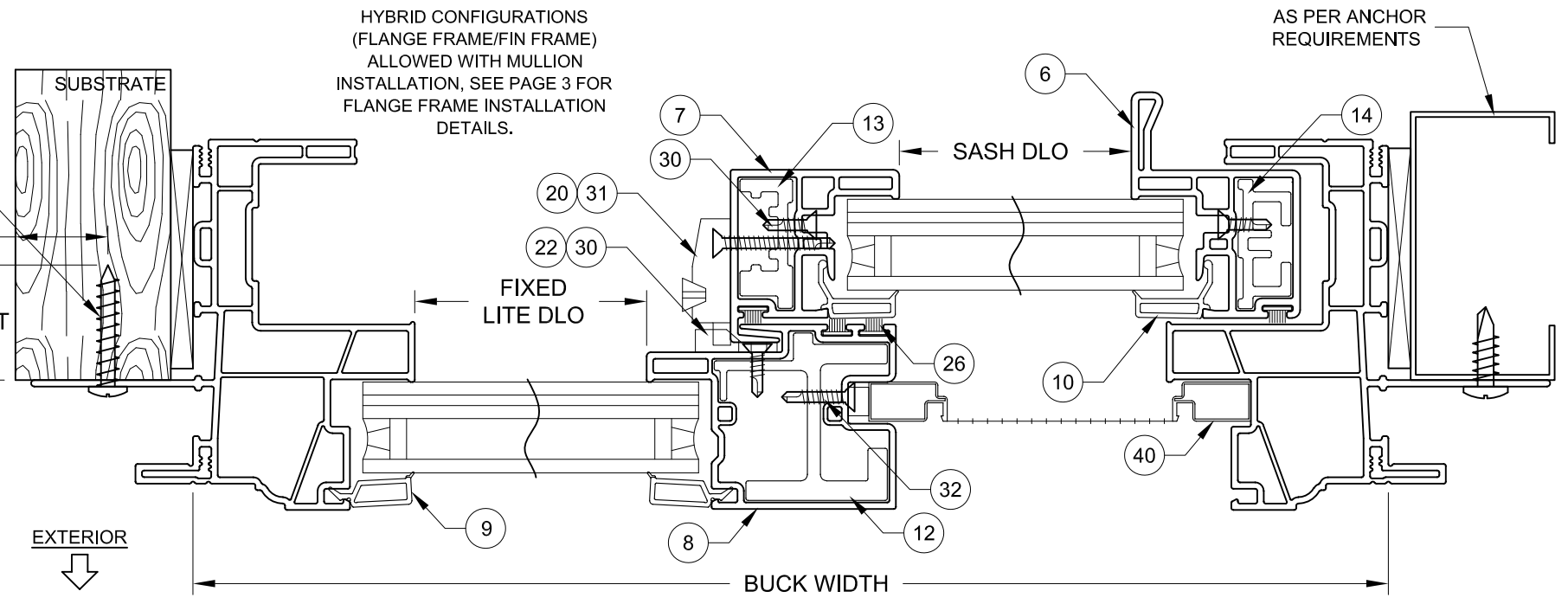
TABLE 5: INSTALLATION ANCHORS

Anchor	Substrate	Min. Edge Distance	Min. Embedment
2-1/2" x .113" Box Nail	P.T. Southern Pine (SG = .55)	5/16"	2-7/16"
2-1/2" x .131" Common Nail	P.T. Southern Pine (SG = .55)	3/8"	2-7/16"
2-1/2" x .145" Roofing Nail	P.T. Southern Pine (SG = .55)	3/8"	2-7/16"
#10 Steel SMS	P.T. Southern Pine (SG = .55)	1/2"	1-3/8"
	Aluminum, 6063-T5 min.	3/8"	1/8"
	Steel Stud, Gr. 33 min.	3/8"	0.036
	A36 Steel	3/8"	1/8"

1) ANCHOR MUST EXTEND A MINIMUM OF 3 THREADS BEYOND ANY METAL SUBSTRATE.
2) ALL ANCHOR HEAD TYPES ARE APPLICABLE.

INSTALLATION NOTES:

- 1) SEE SHEET 1 FOR SPACING REQUIREMENTS.
- 2) FLANGE AND/OR FIN MAY BE REMOVED TO CREATE OTHER FRAME TYPES.
- 3) USE ONLY SUBSTRATE APPROPRIATE ANCHORS LISTED IN ANCHOR TABLE 5. FOLLOW EMBEDMENT AND EDGE DISTANCE LIMITS. ANY INSTALLATION OPTION SHOWN MAY BE USED ON ANY OR ALL SIDES OF THE WINDOW.
- 4) MAX. SHIM THICKNESS TO BE 1/4". MAX. SHIM SPACING TO BE 18".



3 JAMB FIN FRAME X-SECTION USING SCREWS INTO 2X WOOD

4 MEETING RAIL X-SECTION SHOWN FOR OX CONFIGURATION (XOX SIMILAR)

5 JAMB FIN FRAME X-SECTION USING SCREWS INTO METAL

PREPARED BY A. LYNN MILLER
1070 TECHNOLOGY DRIVE
N. VENICE, FL 34275
(941) 480-1600

REGISTRATION #29296
COPYRIGHT © 2023 PGT, INC., LIMITED LICENSE
TO MAKE COPIES FOR PERMITTING.

CGI WINDOWS AND DOORS
3780 W. 104TH STREET
HIALEAH, FL 33018

VINYL HORIZ. ROLLER WINDOW (LM - HVHZ) 04/17/23

By Logan Yoder
Drawn

HR910V-FPA-LM HVHZ

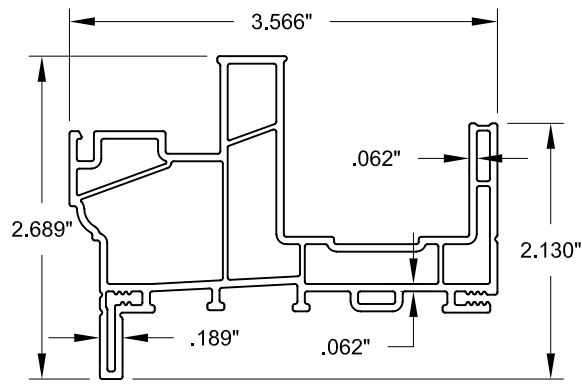
5 OF 6

HR910V

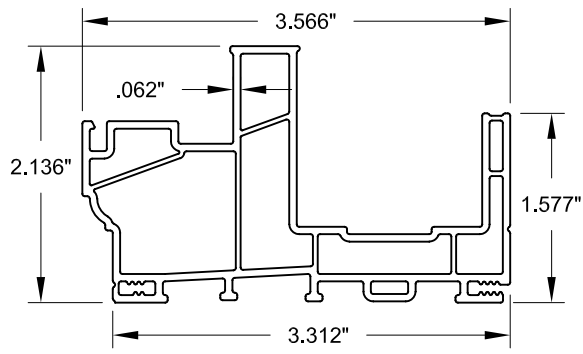
FIN INSTALL & ANCHOR TYPES

Series Desc. Title

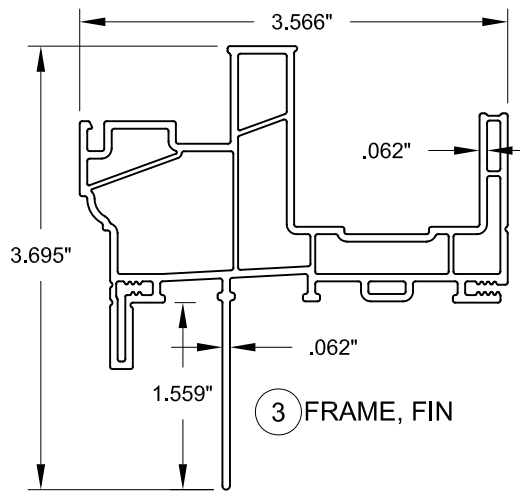
ANTHONY LYNN MILLER
LICENSE
No. 58705
08/18/23
STATE OF FLORIDA
PROFESSIONAL ENGINEER
A. LYNN MILLER, P.E.
P.E.# 58705



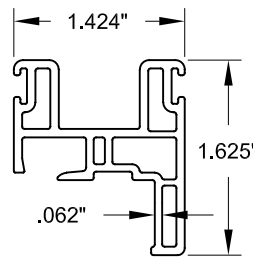
1 FRAME, FLANGE



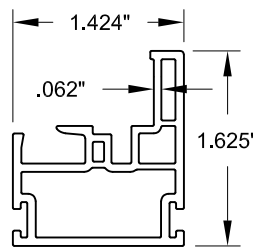
2 FRAME, EQUAL-LEG



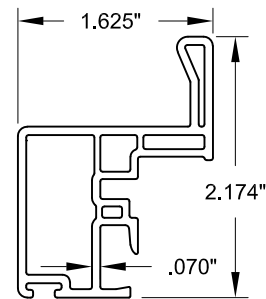
3 FRAME, FIN



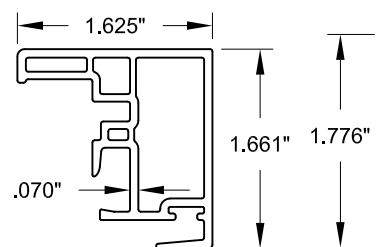
4 SASH TOP RAIL



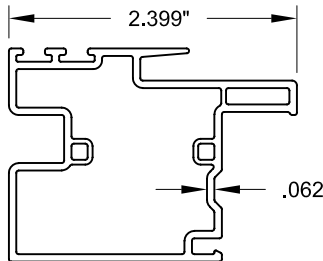
5 SASH BOTTOM RAIL



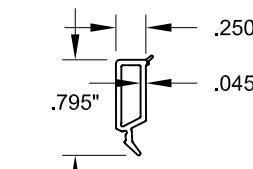
6 SASH HANDLE STILE



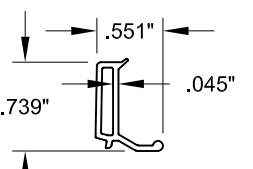
7 SASH LOCK RAIL



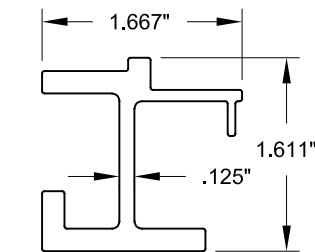
8 SASH MEETING RAIL



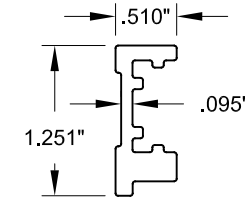
9 GLAZING BEAD



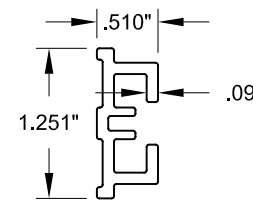
10 GLAZING BEAD



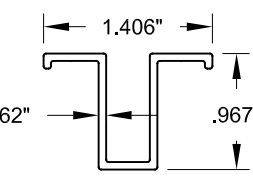
12 REINFORCEMENT (@ MEETING RAIL)



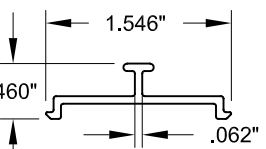
13 REINFORCEMENT (@ LOCK RAIL)



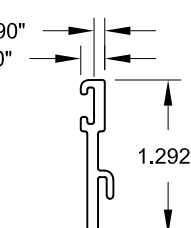
14 REINFORCEMENT (@ HANDLE STILE)



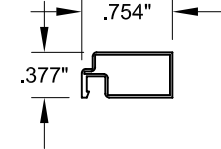
15 ANTI-LIFT RAIL



16 ROLLER TRACK



17 SILL RISER

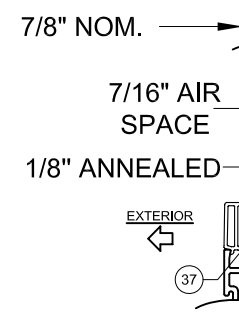


40 SCREEN

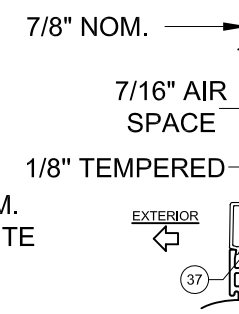
TABLE 6:

BILL OF MATERIALS			
ITEM #	PART #	DESCRIPTION	MATERIAL
1		Frame, Flange	PVC
2	9439	Frame, Equal-Leg	PVC
3		Frame, Fin	PVC
4	9478	Sash Top Rail	PVC
5	9424	Sash Bottom Rail	PVC
6	9475	Sash Handle Stile	PVC
7	9476	Sash Lock Rail	PVC
8	9477	Sash Meeting Rail	PVC
9	9436	Glazing Bead	PVC
10	9425	Glazing Bead	PVC
12	6165	Reinforcement @ Meeting Rail	6063-T6
13	6163	Reinforcement @ Lock Rail	6063-T6
14	6166	Reinforcement @ Handle Stile	6063-T6
15	6162	Anti-Lift Rail	6063-T6
16	6161	Roller Track	6063-T6
17	6158	Sill Riser	6063-T6
20	8097	Lock	
22	8302	Keeper	
24	8153	Roller Assm.	
25	8223	Weep Cover	Composite
26	4007	Weatherstrip, .270" x .250" Polyfin	
30	1003	Screw, #6 x 1/2" PFH	Steel
31	1007	Screw, #6 x 1-1/4" PFH	Steel
32	1012	Screw, #6 x 3/4" PFH	Steel
33	1015	Screw, #8 x 1/2" PTRUSS	Steel
34	1067	Screw, #6 x 3/8" PPH	Steel
35		RGS7700, Sika 552, Dow 791/983/995	Silicone
36		IG Spacer	varies
37		Setting Block	varies
40	6244	Screen	Nylon

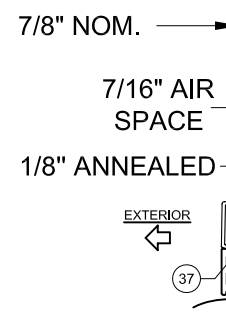
THE APPROVED, RIGID PVC EXTERIOR EXTRUSIONS ARE TO BE PRODUCED BY EXTRUDERS' LICENSEES UNDER "AAMA CERTIFICATION PROGRAMS FOR RIGID PVC EXTRUSIONS".



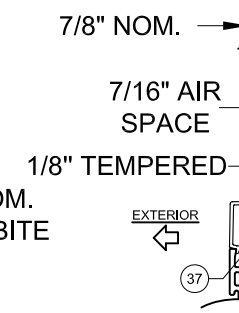
GLASS TYPE 1



GLASS TYPE 2



GLASS TYPE 3



GLASS TYPE 4

PREPARED BY A. LYNN MILLER
1070 TECHNOLOGY DRIVE
N. VENICE, FL 34275
(941) 480-1600

REGISTRATION #29296
COPYRIGHT © 2023 PGT, INC., LIMITED LICENSE
TO MAKE COPIES FOR PERMITTING.

DATE: 04/17/23
DRAWN BY: LOGAN YODER
SERIES: HR910V-FPA-LM HVHZ
DWG NO.: 6 OF 6
SHEET: HR910V

Impact Resistant Windows & Doors
CGI WINDOWS AND DOORS
3780 W. 104TH STREET
HIALEAH, FL 33018

VINYL HORIZ. ROLLER WINDOW (LM - HVHZ)

ANTHONY LYNN MILLER
LICENSE
No. 58705
08/18/23
STATE OF FLORIDA
PROFESSIONAL ENGINEER
A. LYNN MILLER, P.E.
P.E.# 58705

Rev.# 08/17/23
Date
MINOR EDITORIAL UPDATES
Rev.